

**Accepts Fully Isolated  
DI-5B Style Plug-In  
Amplifiers**

**32 Analog Input Channels**

**Ethernet Interface**

**14-Bit Resolution**

**Up to 180KHz Sample  
Throughput Rate**



Shown: Rear panel of DI-785

DATAQ Instruments announces model DI-785, a new 32-channel data acquisition system designed specifically to accept DI-5B style modular signal conditioners and based on our Third Generation Ethernet (3GE) communications. The DI-785 is packaged in an enclosure that measures 16.5W × 18.5D × 3.5H inches (42.9W × 47D × 8.9H centimeters) that is suitable for placement on a desktop, or can be mounted in a standard 19-inch rack using optional brackets. It's also the first product from DATAQ Instruments to feature a built-in switching AC power supply, allowing it to be powered directly from AC line voltage.

The DI-785 features 14-bit resolution, programmable gain per channel of 1, 2, 4, and 8, a maximum sample throughput rate up to 180,000 samples per second, and two built-in 16-channel DI-5B module backplanes allowing up to 32 signal-conditioning modules. Measurements include thermocouple, voltage, strain, frequency, process current, RTD, and potentiometric.

The Ethernet communications interface connects the DI-785 to any local area network (LAN). Direct Internet access is also possible. This patented (US 7,792,139 B2) communication option uses standard CAT-5 cable to yield continuous data acquisition throughput rates up to 180kHz. Multiple DI-785 and/or DI-788 products may be daisy-chained together to form an ad-hoc extended network of autonomous, yet fully synchronous data acquisition stations. Add any DI-720 and/or DI-730 for a complete data acquisition system for almost any measurement. Each station can sample at a different rate (up to 150kHz throughput) and still maintain full synchronization. Station separation can be as far as 100 meters.

## Make Industrial Measurements Through DI-5B Plug-in Signal Conditioning Modules

Each channel on the DI-785 accommodates one DI-5B module providing a single channel of isolated input protection, amplification, and filtering. DI-5B modules are plugged into a socketed backplane and are secured with a mounting screw. Each DI-785 channel has four screw terminals for signal connections: channel +, channel -, excitation +, and excitation -. These terminals satisfy all transducer inputs and provide sensor excitation if necessary. Access to the DI-5B modules is through a removable top panel.

## Convenient Signal Connection

Eight 16-position removable screw terminal blocks allow signal connections to be made easily to the DI-785.

## High Sample Throughput Rate

Sample at rates up to 180,000 samples per second throughput (150,000 samples per second per unit when daisy-chained) and as low as 0.01526 samples per second throughput per unit.

## High Resolution

14-bit resolution analog to digital conversion provides a responsive instrument capable of registering changes as small as one part in 8,192 (±0.012% of the full scale measurement range).

## Features

### Synchronized Distributed Ethernet Data Acquisition

Daisy chain multiple DI-785, DI-788, DI-720, DI-730, and/or DI-722 Ethernet units for a fully synchronous distributed Ethernet data acquisition system.

### Built-In AC Power Supply

The built-in switching AC power supply allows the DI-785 to be powered directly from AC line voltage.

### Desktop or Rackmount Configuration

The DI-785 is packaged in an enclosure that measures 16.5W × 18.5D × 3.5H inches (41.9W × 47D × 8.9H centimeters) that is suitable for placement on a desktop, or can be mounted in a standard 19-inch rack using optional brackets.

### Easy to Connect and Use

All instruments connect in seconds to your PC's Ethernet connector using standard CAT-5 cables.

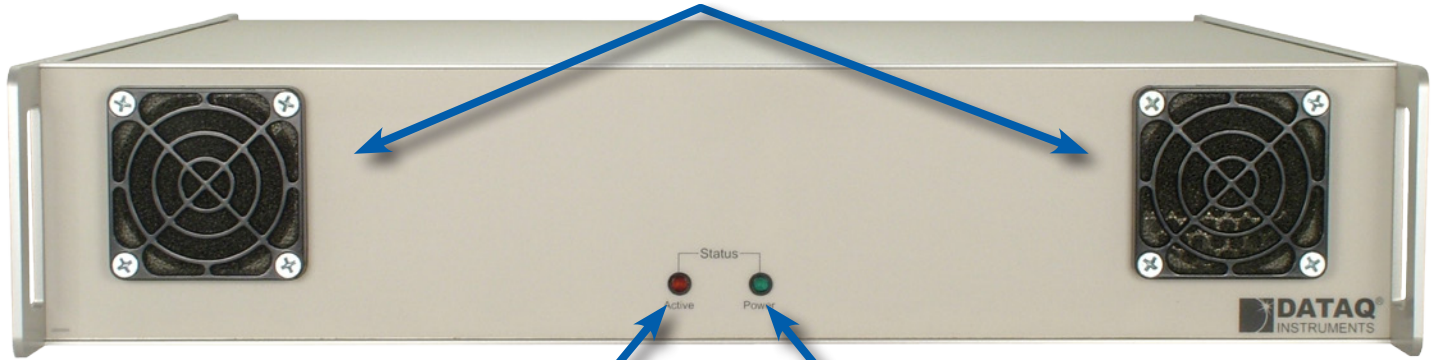
### WINDAQ Software Included

WINDAQ is free with the purchase of every instrument. It is restricted to a maximum of one channel at 180kHz throughput or two or more channels at 240Hz throughput when recording to disk. Increase record-to-disk rates with WINDAQ/Pro or WINDAQ/Pro+ Unlock Codes.

Use WINDAQ Waveform Browser (free) to review, measure, compare, and analyze the waveform file after it has been recorded by WINDAQ acquisition software.

# DI-785 Front Panel

Two fans provide filtered chassis ventilation.



Active LED indicates the instrument is acquiring data.

Power LED indicates power is applied.

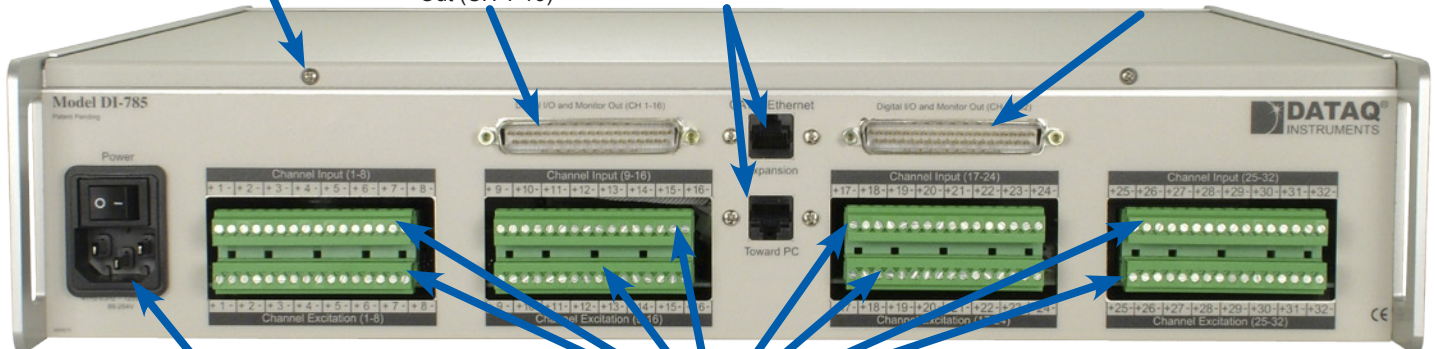
# DI-785 Rear Panel

Top screws (2) and removable top panel provide access to DI-5B modules.

Digital I/O and Monitor Out (CH 1-16)

Two Ethernet Ports allow multiple units to be daisy-chained

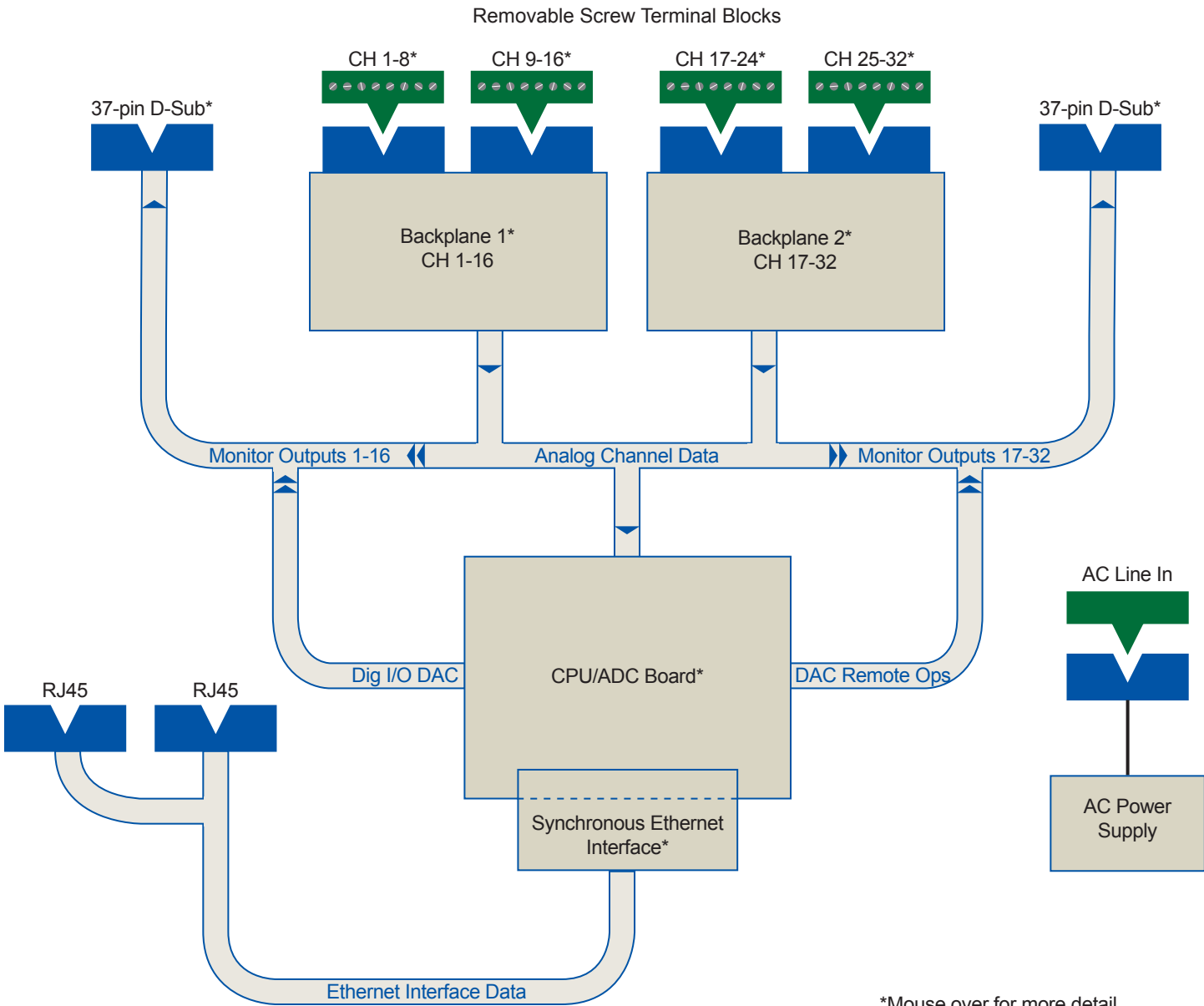
Digital I/O and Monitor Out (CH 17-32)



Power. Connect directly to AC line voltage.

Eight 16-position removable screw terminal blocks provide easy signal lead connections

# DI-785 Block Diagram

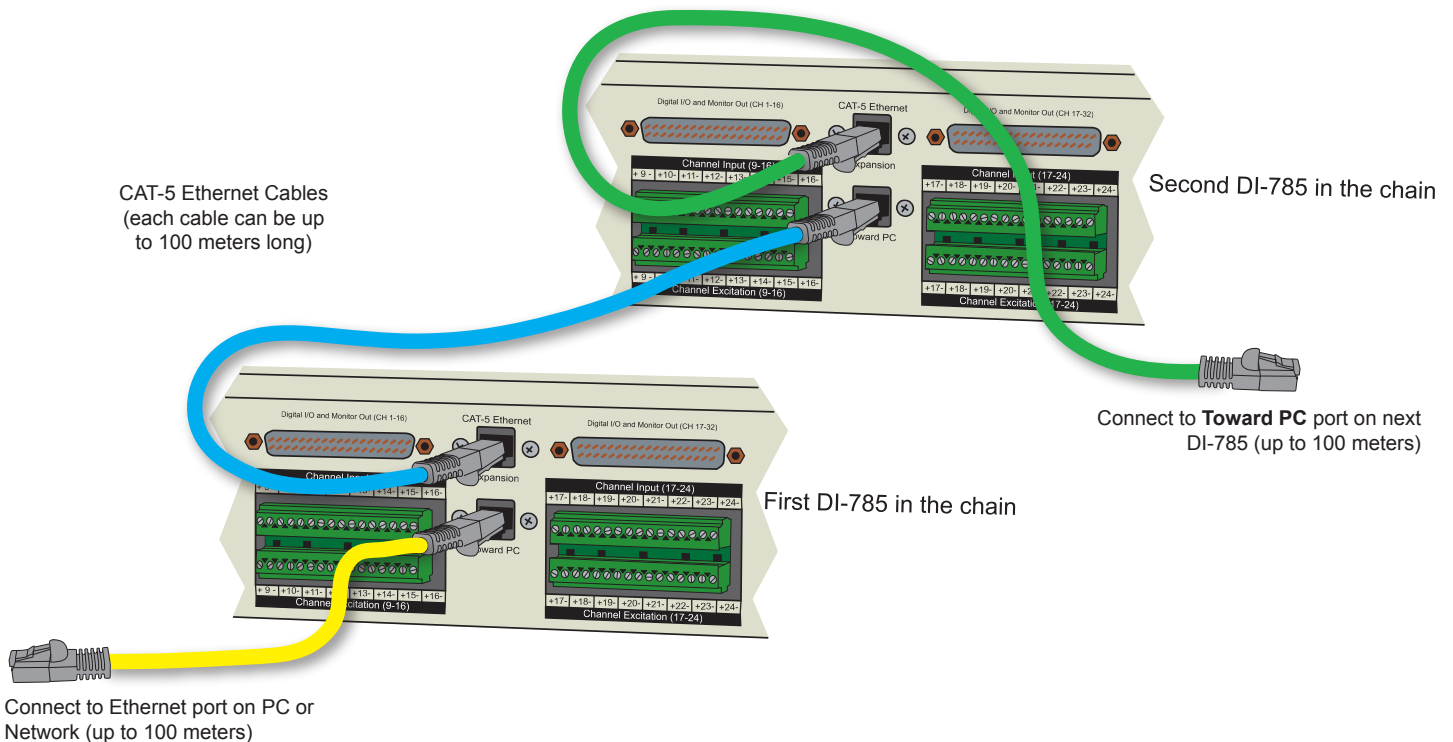


# Ethernet Interface Description

Our third generation Ethernet interface\* offers a number of advantages over USB and printer port alternatives. Of course, the Ethernet option allows CAT-5 cable lengths up to 100 meters without hubs over a local area network (LAN), as well as access from any location using the Internet with a properly configured network. But Ethernet interfaces also allow multiple DI-785, DI-788, DI-720, and DI-730 products to be connected together for channel expansion. Data acquired across multiple units are acquired synchronously, meaning that samples fall within a definable time window with constant latency. For example, the torque, load and rpm of multiple rolling stations in a rolling mill, each instrumented with a DI-785 product, may be precisely correlated as an aid to maintenance and troubleshooting, and the distance between each station can be as great as 100 meters. Finally, the synchronized and distributed nature of these products with an Ethernet interface is simplified by allowing common CAT-5 cable to be strung between units in a daisy-chain fashion without the need for external hubs or switches or costly custom cables.

## Ethernet Connections

Use the following diagram to daisy-chain multiple DI-785, DI-788, DI-720, DI-730, or DI-722 Ethernet products together to an ad-hoc extended network of autonomous, yet fully synchronous data acquisition stations.



\*Patented (US 7,792,139 B2)

# Primary Synchronous Data Acquisition Customers

## Primary Customers

Primary customers include:

- Those who need to acquire data from a remote location where it is not practical or economical to leave a computer.
- Users who want a path to easily expand their measurement channels at some future point.
- Customers who need synchronized data acquisition measurements across data acquisition units.
- Troubleshooters/designers who need fine, synchronous measurements to well within millisecond resolution.
- Customers who need fast, synchronized measurements across multiple, distributed data acquisition stations spaced as far as 100 meters between stations.



## Typical Applications

Typical application examples include maintenance and troubleshooting applications in:

Large web offset and printing press machinery

Hydraulic metalworking presses

Injection moulding machines

Reversing mills

**Steel and aluminum rolling mills including:**

- Roughing mills
- Intermediate mills
- Finishing mills
- Cold rolling tandem mills
- Cluster mills
- Temper rolling mills
- Coilers

**Paper mills, including:**

- Wire processes
- Presses
- Dryers
- Size presses
- Calendars
- Reelers
- Unwinders and slitters

**Structural wind/weather audits on large structures:**

- Tall buildings
- Long bridge spans
- Floating platforms like oil rigs
- Extended length vessels like super tankers
- Any size structure that requires a distributed, yet synchronized approach to data acquisition

**PLC fine tuning and troubleshooting to detect:**

- Electrical sequencing variations and flaws
- Mechanical valve actuation latencies
- Motor timing conflicts
- Hydraulic spikes or drop outs



## Typical Measurements

Typical measurements include:

**AC/DC drive/motor measurements, including:**

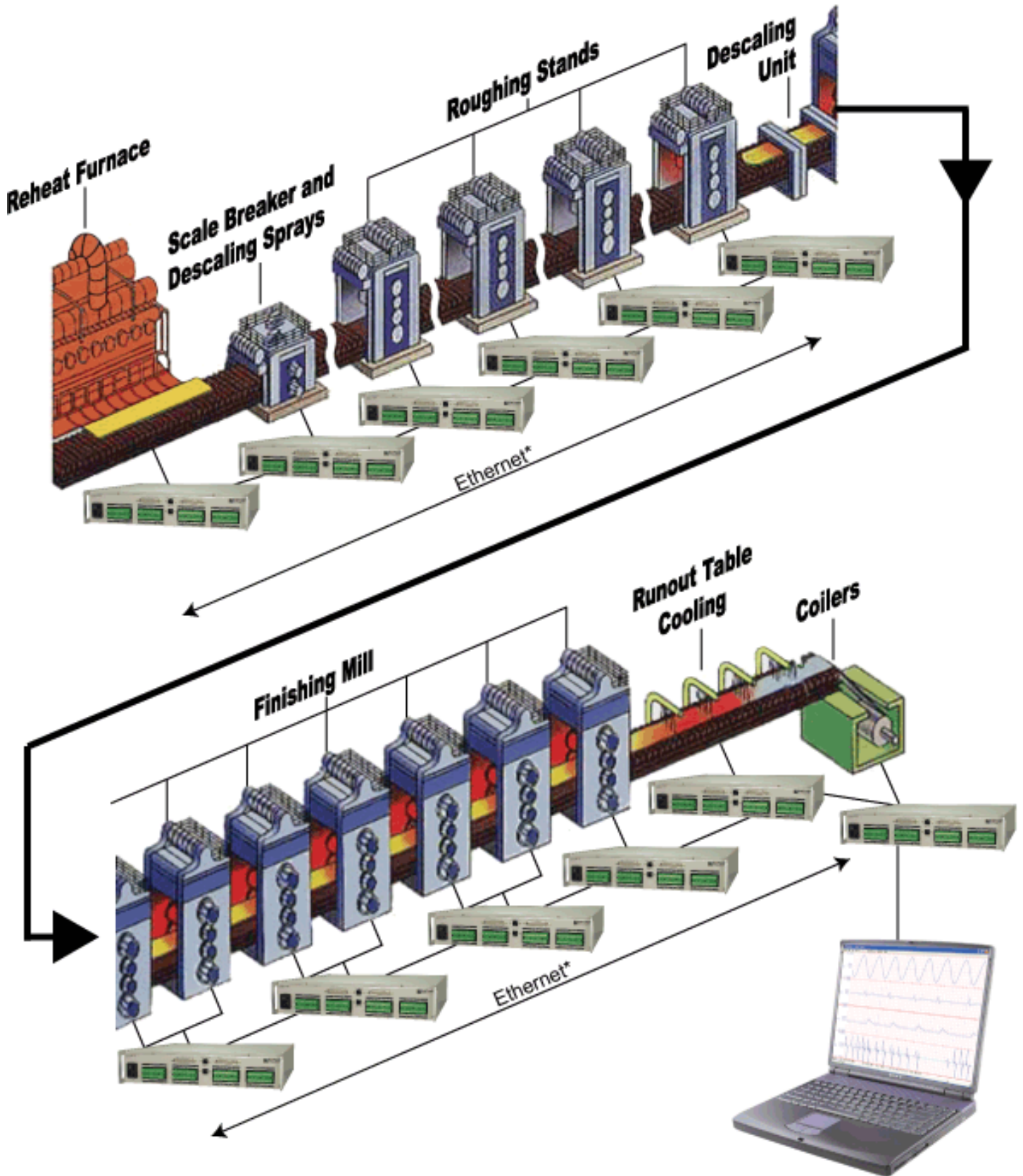
- Speed (armature voltage)
- Speed regulation (tach vs. set point)
- Torque (armature current)
- Acceleration/deceleration times
- IR compensation
- Load balancing

**Mechanical properties measurements, including:**

- Load/pressure/stress
- Vibration
- Temperature
- Flow
- Distance/movement
- Tension/compression



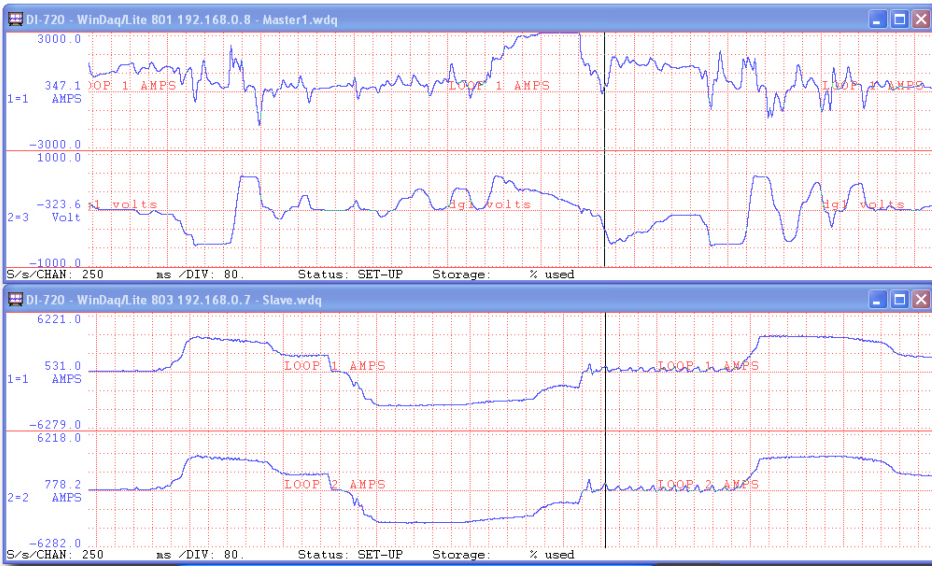
# Typical Application



\*Each station can be up to 100 meters apart.

# Software for Synchronous Data Acquisition

To next DI-785 or DI-788 (or DI-720/730) Instrument



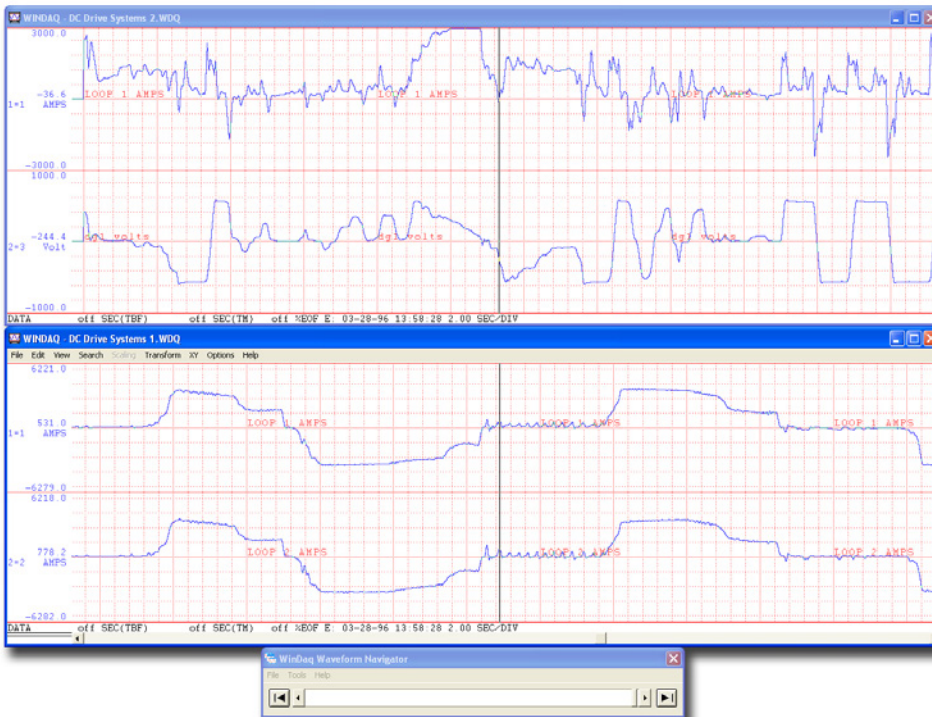
Dataq TCP/IP Manager

Help  
Shift + Click or Control + Click to select more than one synced device.

Device	Model	Status	IP Address
UnSynced Devices			
Synced Group (Master1)			
Master1	DI-730ENB	Busy	192.168.0.8
Slave	DI-720ENB	Busy	192.168.0.7

Session (Master1) Find Devices Save Default Start Recording

Record and Playback all data synchronously. The TCP/IP Manager (above) allows you to record from all daisy-chained instruments at the click of a button. The WinDAQ Waveform Navigator (below) allows you to view all your data perfectly aligned in time.



CAT-5 Ethernet Cable\*



\*Up to 100 meters.

# DI-5B Signal Conditioning Module Selection Guide

Each DI-5B module is a single channel, isolated analog input that interfaces to all types of sensors. The modules filter, isolate, amplify, and convert input signals to a high-level analog signal suitable for A/D conversion. Over 90 modules address the full spectrum of industrial measurements.

## Key Features

- Convenient, flexible, mix-and-match approach.
- Full isolation reduces noise and protects you and your equipment from large, common mode voltages.
- Custom modules are available.

## Common Specifications

- 1000V isolation (if requirements exceed 600V contact DATAQ Instruments)
- 240 VAC input protection
- 160db common mode rejection
- -40°C to +85°C operating temperature range
- Small size: 2.28" × 2.26" × 0.60"

Analog Voltage Input Modules (4Hz or 10kHz BW)			
Narrow Bandwidth (4Hz)		Wide Bandwidth (10kHz)	
MODEL NO.	Input Range	MODEL NO.	Input Range
DI-5B30-01	±10mV	DI-5B40-01	±10mV
DI-5B30-02	±50mV	DI-5B40-02	±50mV
DI-5B30-03	±100mV	DI-5B40-03	±100mV
DI-5B31-01	±1V	DI-5B41-01	±1V
DI-5B31-02	±5V	DI-5B41-02	±5V
DI-5B31-03	±10V	DI-5B41-03	±10V
DI-5B31-07	±20V	DI-5B41-07	±20V
DI-5B31-09	±40V	DI-5B41-09	±40V

Analog Current Input Modules (4Hz BW)			
MODEL NO.	Input Range	MODEL NO.	Input Range
DI-5B32-01	4 to 20mA	DI-5B32-02	0 to 20mA

Isolated True RMS Input Modules (20kHz BW)			
MODEL NO.	Input Range	MODEL NO.	Input Range
DI-5B33-01	100mVFS	DI-5B33-04	150VFS
DI-5B33-02	1VFS	DI-5B33-05	300VFS
DI-5B33-03	10VFS		

Linearized RTD Input Modules (4Hz BW)		
MODEL NO.	Type	Input Range
<b>For 2- or 3-Wire RTDs</b>		
DI-5B34-01	100Ω Pt	-100°C to +100°C (-148°F to +212°F)
DI-5B34-02	100Ω Pt	0°C to +100°C (+32°F to +212°F)
DI-5B34-03	100Ω Pt	0°C to +200°C (+32°F to +392°F)
DI-5B34-04	100Ω Pt	0°C to +600°C (+32°F to +1112°F)
DI-5B34C-01	10Ω Cu @ 0°C	0°C to +120°C (+32°F to +248°F)
DI-5B34C-02	10Ω Cu @ 25°C	0°C to +120°C (+32°F to +248°F)
DI-5B34C-03	10Ω Cu @ 0°C	0°C to +160°C (+32°F to +320°F)
DI-5B34N-01	120Ω Ni	0°C to +300°C (+32°F to +572°F)
<b>For 4-Wire RTDs</b>		
DI-5B35-01	100Ω Pt	-100°C to +100°C (-148°F to +212°F)
DI-5B35-02	100Ω Pt	0°C to +100°C (+32°F to +212°F)
DI-5B35-03	100Ω Pt	0°C to +200°C (+32°F to +392°F)
DI-5B35-04	100Ω Pt	0°C to +600°C (+32°F to +1112°F)
DI-5B35C-01	10Ω Cu @ 0°C	0°C to +120°C (+32°F to +248°F)
DI-5B35C-02	10Ω Cu @ 25°C	0°C to +120°C (+32°F to +248°F)
DI-5B35C-03	10Ω Cu @ 0°C	0°C to +160°C (+32°F to +320°F)
DI-5B35N-01	120Ω Ni	0°C to +300°C (+32°F to +572°F)

Potentiometer Input Modules (4Hz BW)		
MODEL NO.	Input Range	Excitation
DI-5B36-01	0 to 100Ω	0.25mA
DI-5B36-02	0 to 500Ω	0.25mA
DI-5B36-03	0 to 1KΩ	0.25mA
DI-5B36-04	0 to 10KΩ	0.10mA

DC Transducer Input Modules with +10VDC Excitation			
MODEL NO.	Input Range	MODEL NO.	Input Range
DI-5B43-01	±1V	DI-5B43-06	±6V
DI-5B43-02	±2V	DI-5B43-07	±7V
DI-5B43-03	±3V	DI-5B43-08	±8V
DI-5B43-04	±4V	DI-5B43-09	±9V
DI-5B43-05	±5V	DI-5B43-10	±10V

Strain Gage Input Modules (4Hz or 10kHz BW)		
MODEL NO.	Full Scale Input/Bridge	Excitation
<b>10kHz</b>		
DI-5B38-01	±10mV/Full, (3mV/V) 100 to 10KΩ	3.333V
DI-5B38-02	±30mV/Full, (3mV/V) 300 to 10KΩ	10.000V
DI-5B38-03	±10mV/Half, (3mV/V) 100 to 10KΩ	3.333V
DI-5B38-04	±30mV/Half, (3mV/V) 300 to 10KΩ	10.000V
DI-5B38-05	±20mV/Full, (2mV/V) 300 to 10KΩ	10.000V
DI-5B38-06	±33.3mV/Full, (10mV/V) 100 to 10KΩ	3.333V
DI-5B38-07	±100mV/Full, (10mV/V) 300 to 10KΩ	10.000V
<b>4Hz</b>		
DI-5B38-31	±10mV/Full, (3mV/V) 100 to 10KΩ	3.333V
DI-5B38-32	±30mV/Full, (3mV/V) 300 to 10KΩ	10.000V
DI-5B38-33	±10mV/Half, (3mV/V) 100 to 10KΩ	3.333V
DI-5B38-34	±30mV/Half, (3mV/V) 300 to 10KΩ	10.000V
DI-5B38-35	±20mV/Full, (2mV/V) 300 to 10KΩ	10.000V
DI-5B38-36	±33.3mV/Full, (10mV/V) 100 to 10KΩ	3.333V
DI-5B38-37	±100mV/Full, (10mV/V) 300 to 10KΩ	10.000V

2-wire Transmitter Interface Module (100Hz BW)		
MODEL NO.	Input Range	Excitation
DI-5B42-01	4 to 20mA	Nom. 20V at 4 to 20mA

Frequency Input Modules		
MODEL NO.	Input Range	Excitation
DI-5B45-01	0 to 500Hz	+5.1V @ 8mA max
DI-5B45-02	0 to 1kHz	+5.1V @ 8mA max
DI-5B45-03	0 to 3kHz	+5.1V @ 8mA max
DI-5B45-04	0 to 5kHz	+5.1V @ 8mA max
DI-5B45-05	0 to 10kHz	+5.1V @ 8mA max
DI-5B45-06	0 to 25kHz	+5.1V @ 8mA max
DI-5B45-07	0 to 50kHz	+5.1V @ 8mA max
DI-5B45-08	0 to 100kHz	+5.1V @ 8mA max

Linearized Thermocouple Input Modules (4Hz BW)		
MODEL NO.	Type	Input Range
DI-5B47J-01	J	0°C to +760°C (+32°F to +1400°F)
DI-5B47J-02	J	-100°C to +300°C (-148°F to +572°F)
DI-5B47J-03	J	0°C to +500°C (+32°F to +932°F)
DI-5B47J-12	J	-100°C to +760°C (-148°F to +1400°F)
DI-5B47K-04	K	0°C to +1000°C (+32°F to +1832°F)
DI-5B47K-05	K	0°C to +500°C (+32°F to +932°F)
DI-5B47K-13	K	-100°C to +1350°C (-148°F to +2462°F)
DI-5B47K-14	K	0°C to +1200°C (+32°F to +2192°F)
DI-5B47T-06	T	-100°C to +400°C (-148°F to +752°F)
DI-5B47T-07	T	0°C to +200°C (+32°F to +392°F)
DI-5B47E-08	E	0°C to +1000°C (+32°F to +1832°F)
DI-5B47R-09	R	+500°C to +1750°C (+932°F to +3182°F)
DI-5B47S-10	S	+500°C to +1750°C (+932°F to +3182°F)
DI-5B47B-11	B	+500°C to +1800°C (+932°F to +3272°F)
DI-5B47N-15	N	-100°C to +1300°C (-148°F to +2372°F)

ICP-style Piezoelectric Transducers		
MODEL NO.	Input Range	Output Range
DI-5BICP-Peak	±5V	±5V
DI-5BICP-RMS	±5V	0 to 3.535V

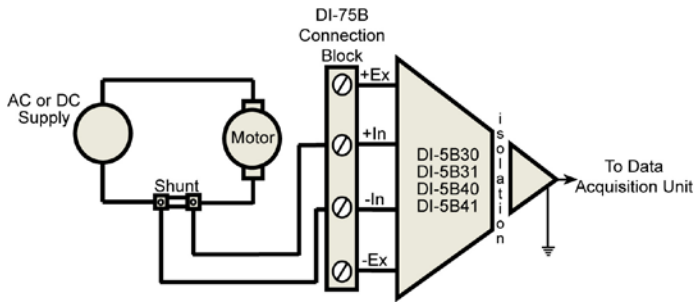
  

Accelerometer Input Module			
MODEL NO.	Input Range	Output Range	Bandwidth
DI-5B48-01	±10V max	±10V	2.5kHz to 20kHz

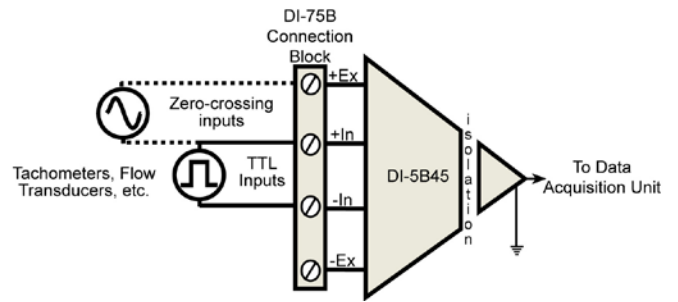


# DI-5B Signal Conditioning Module Applications

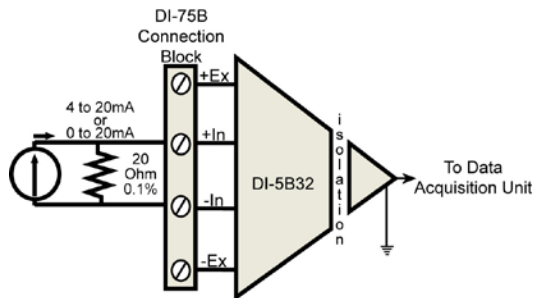
## AC or DC Current Shunt:



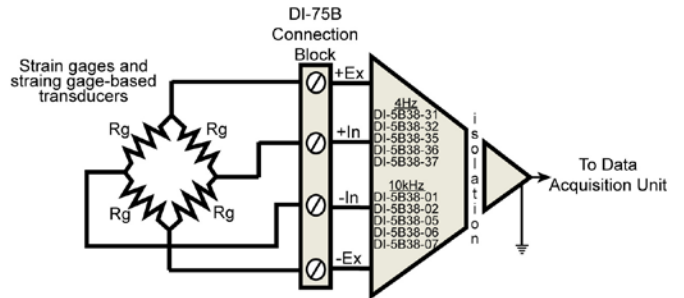
## Frequency:



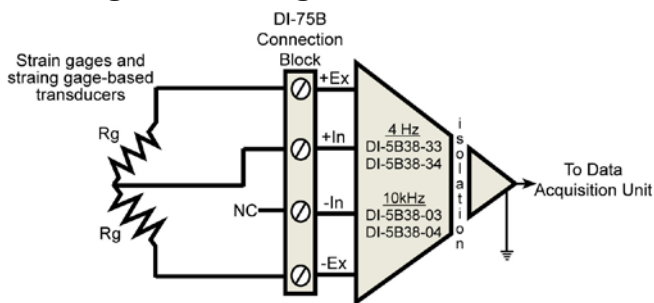
## Process Current:



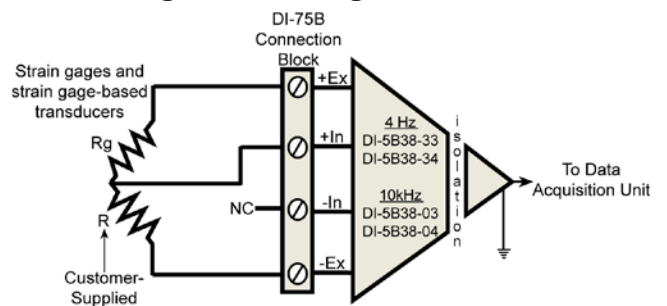
## Full-Bridge Strain Gage:



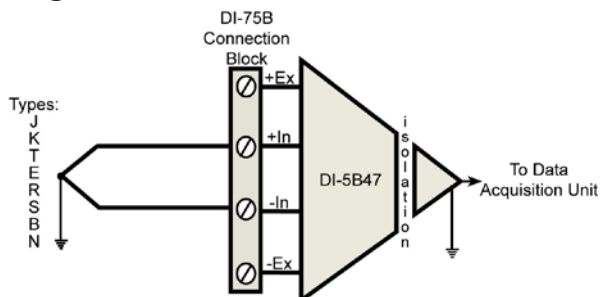
## Half-Bridge Strain Gage:



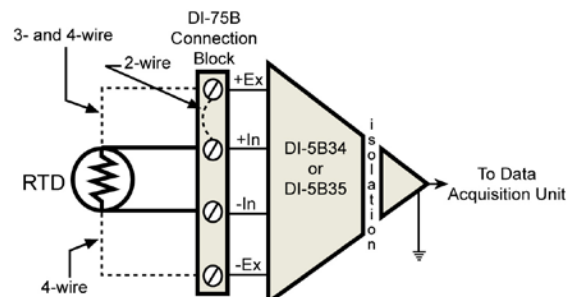
## Quarter-Bridge Strain Gage:



## Floating Grounded TC:



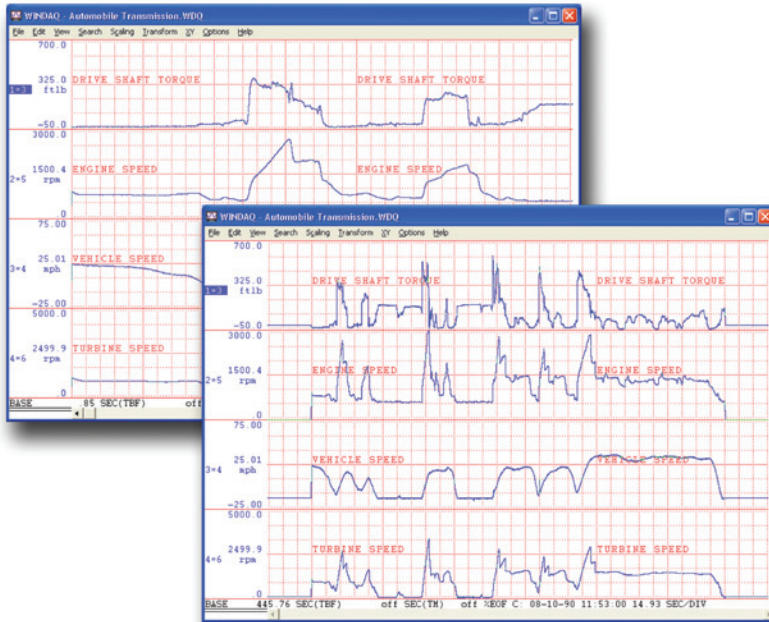
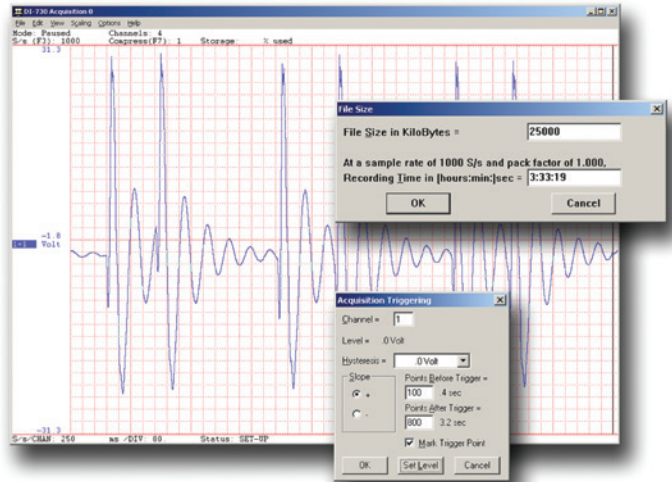
## RTD:



# WINDAQ...The Most Widely Used Turnkey Test Instrumentation\*

## Record...

Record analog channel data using WINDAQ's continuous recording mode, or its triggered mode with selectable trigger level, slope, and pre- and post-trigger times. WINDAQ automatically time- and date-stamps, then streams acquired data and your commented event markers to disk—acquire as much data as you need. At the same time, WINDAQ reveals on your monitor a real time graphical display of any or all channels, so you can easily chart your progress, identify critical events, and plan your next action. No other product gives you WINDAQ's power, speed, and flexibility. That's why it's the most widely used turnkey software package for PC-based test instrumentation.

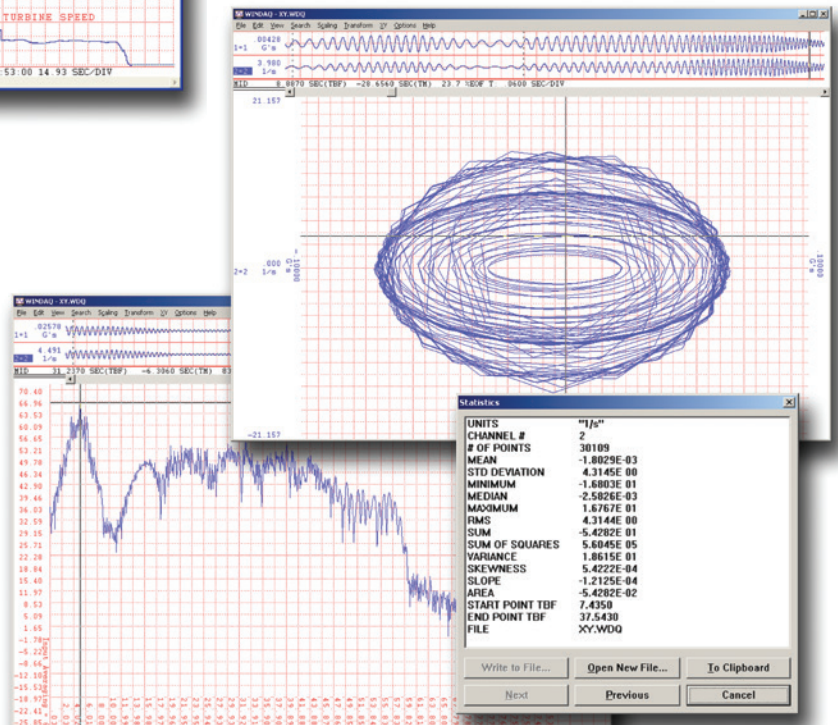


## and Analyze the Results.

Waveform interpretation is easy with our built-in analysis functions. Apply frequency and filtering analysis with the WINDAQ Waveform Browser's FFT and DFT functions. Or analyze any range of waveform data with its statistics function. Use X-Y plotting to examine the relationships of one channel to another. You'll gain insights you never thought possible. Advanced CODAS allows additional software analysis functions such as waveform integration, differentiation, arithmetic operations, peak detection, and more. Then export waveform graphics or data to any other application.

## Review...

Use the WINDAQ Waveform Browser to review, compare, qualify, and export recorded waveform data in ways you've never seen on a PC. Compress an entire session's recording to one screen width for a bird's eye view, then expand around an area of interest for a closer look. Use cursors to precisely measure amplitudes and timing. Move to any event marker in the file with the click of a mouse button. Then access WINDAQ's wealth of analysis tools to gain further insight. And you can do it all immediately, without the burden of programming.



\* Source: Test & Measurement World Market Insight Study, PC-based Test Instrumentation, May 1998

# DI-785 Specifications

## Analog Inputs

<b>Number of Channels:</b>	32 configured for DI-5B modules
<b>Channel Configuration:</b>	Defined by DI-5B module
<b>Measurement Range:</b>	Defined by DI-5B module
<b>Measurement Accuracy:</b>	±0.25% of full scale range, ±100 µV
<b>Resolution:</b>	1 part in 16,384 (14-bit)
<b>Input Impedance:</b>	Defined by signal conditioning module
<b>Input offset voltage:</b>	Defined by DI-5B module
<b>Channel-to-channel crosstalk:</b>	-75db @ 100 kHz sample throughput rate
<b>Offset temperature coefficient:</b>	±10 PPM/°C, plus DI-5B module
<b>Analog Frequency Response:</b>	Defined by DI-5B module
<b>Digital filtering:</b>	Peak, Valley, Average
<b>CJC Error:</b>	±1.5°C plus signal conditioning module (10-min. warm-up; still air; 2-amp max current draw for backplane; average IOS mode).
<b>Gain:</b>	1, 2, 4, 8 (software selectable per channel)

## Isolation (via Signal Conditioning Modules)

<b>Input-to-Output:</b>	1000V
<b>Channel-to-Channel:</b>	500V

## A/D Characteristics

<b>Type:</b>	Successive approximation
<b>Resolution:</b>	14-bit
<b>Sample Rate Timing Accuracy:</b>	50 PPM
<b>Sample Rate Timing Resolution:</b>	62.5 ns
<b>Integral Linearity Error:</b>	±1LSB
<b>Minimum Conversion Time:</b>	4 microseconds

## Calibration

<b>Calibration cycle:</b>	One year
---------------------------	----------

## Digital I/O

<b>Bits:</b>	8 inputs and 8 outputs
<b>Input voltage levels:</b>	Min. required "1" 2V; Max allowed "0" 0.8V
<b>Connections:</b>	Two 37-pin D-sub male

## Scanning Characteristics

<b>Max. throughput sample rate:</b>	Single Unit: 180,000 Hz Multiple Units (daisy-chained): 150,000 Hz per unit
<b>Min. throughput sample rate:</b>	0.01526 Hz
<b>Max. scan list size:</b>	34 entries
<b>Sample buffer size:</b>	7500 samples

## Ethernet Interface (optional Ethernet to USB converter available)

<b>Type:</b>	10/100Base-T
<b>Connectors:</b>	RJ-45 (Two: Primary and Expansion)
<b>Protocol:</b>	TCP/IP
<b>Server Type:</b>	DHCP or Fixed IP
<b>Cross-unit synchronization:</b>	Via secondary Ethernet port (RJ-45)

## Rear Panel I/O Connections

<b>Power Cable:</b>	Standard receptacle
<b>Digital I/O and Monitor Out:</b>	37 pin D sub (2)
<b>Signal I/O:</b>	Removable Phoenix-type screw terminals (8)

## General

<b>Front Panel Indicators:</b>	Power LED and Active LED
<b>Certification:</b>	CE (non-daisy chained, 3m CAT-5 cable)
<b>Rear Panel Controls:</b>	AC Power Switch
<b>Internal I/O Connections:</b>	DI-5B module inputs (32)
<b>Operating Temperature:</b>	0°C to 50°C
<b>Storage Temperature:</b>	-55°C to 125°C
<b>Dimensions:</b>	16.5W × 18.5D × 3.5H in. 41.9W × 47.0D × 8.9H cm.
<b>Weight with no modules:</b>	11 lbs. (5Kg)
<b>Weight with 32 DI-5B modules:</b>	15.44 lbs. (7Kg)
<b>Power Characteristics</b>	
<b>Type:</b>	AC Line
<b>Voltage Range:</b>	88 to 264 VAC rms
<b>Current Range:</b>	1.3A @ 115VAC; 0.8A @ 230 VAC
<b>Frequency Range:</b>	47 to 63 Hz

## Ordering Guide

Description	Order No.	Description	Order No.
<b>DI-785</b> 32-channel DI-5B module industrial data acquisition system.	DI-785	<b>Rack Mounting Kit</b> Optional 19-inch rack mounting kit.	RMK-500



DATAQ Instruments, Inc.  
241 Springside Drive  
Akron, Ohio 44333  
Phone: 330-668-1444  
Fax: 330-666-5434

## Data Acquisition Product Links

(click on text to jump to page)  
[Data Acquisition](#) | [Data Logger](#)